



EPIC HANDLEBAR PACK

Thank you for selecting the TransIt Epic Front Handlebar Pack. This versatile pack is perfect for carrying items which need to be easily accessible and includes a clear map cover on top. Two convenient pack mounted Extension Bars allow you to reclaim handlebar space taken by bag mounting brackets to use for computers and lights.

⚠ Caution: Do not exceed 10 lbs. of cargo. Excess weight will adversely affect steering and handling of the bicycle.

Tools required:

5 mm hex wrench

Parts included:

	QTY
Handlebar Bag1
Extension Bars2
Rubber Grip Strips2
Handlebar Mount Plate1
Handlebar Clamps2
5 mm Hex Bolts4
Cable with plastic cover1

Installation:

1. Mount Grip Strips to the Handlebar Clamps (figure 1) and loosely install the Mounting Plate assembly and Handlebar Clamps as shown in figures 1 and 2.
2. Route cable as shown in figures 3 and 4. Do not tighten cable yet.
3. Rotate Mount Plate assembly into the proper position and tighten the 4 bolts securely. See figure 2.
4. Pull the cable taut and tighten the anchor bolt as shown in figure 5. You may need to shorten the plastic housing covering the cable. Remove the cable from the housing and cut with scissors.

Note: The use of the cable is required to adequately support the handlebar bag.

5. Tuck the excess cable behind the tabs on the mount plate. Grip Strip in each of the Handlebar Clamps. See figure 6.
6. Snap the Epic Handlebar Pack into place by sliding it down onto the Handlebar Mount Plate. Remove the pack by depressing the spring loaded button (marked press) and pull the pack upwards.

Figures

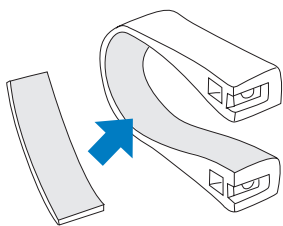


Figure 1

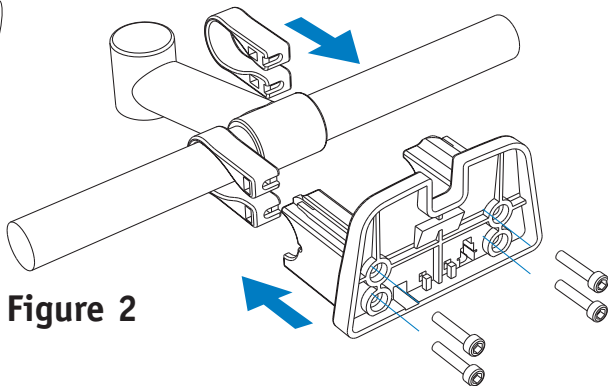


Figure 2

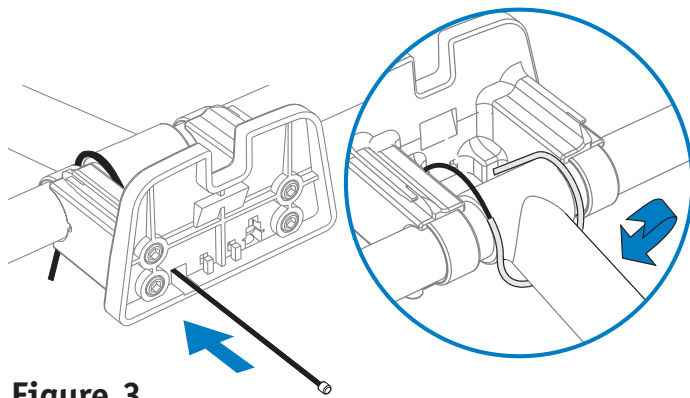


Figure 3

Caution: This cable must be installed.

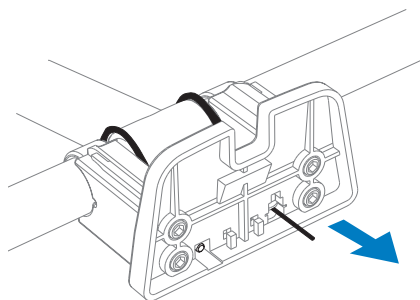
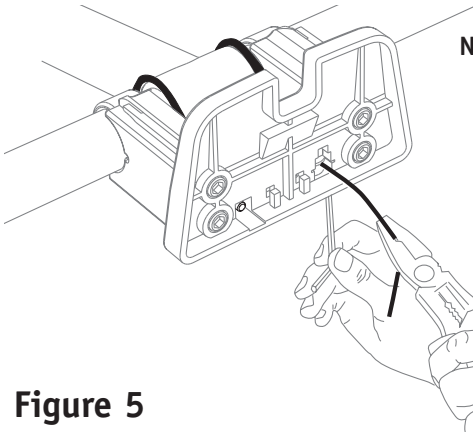


Figure 4



Note:
The use of the cable is required to adequately support the handlebar bag.

Figure 5

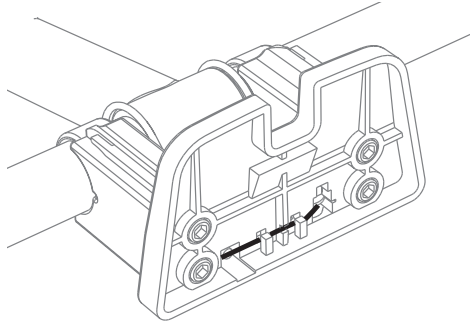


Figure 6

Extension-Bar

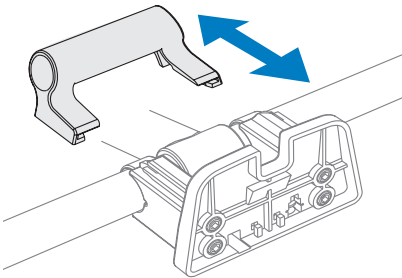


Figure 7

or

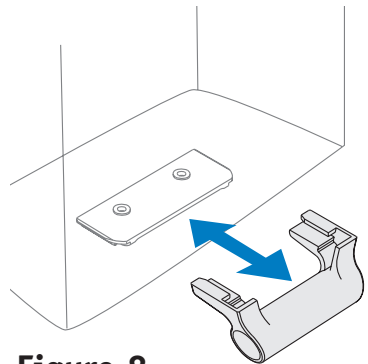


Figure 8

Installation of the Accessory Bars:

7. Slide one of the Accessory Bars onto the top of the Handlebar Clamps (for using a cyclometer, heart rate monitor etc.) with the "feet" of the Accessory Bar pointed towards the front of the bike. See figure 7.
8. Slide the other Accessory Bar onto the plate at the bottom of the Epic Handlebar Pack (for mounting a headlight). The "feet" of the bar should be up and pointed towards the rear of the bike. Push the Bar all the way on, until it "clicks" into place. See figure 8.

Using the Raincover:

Your Epic Handlebar Pack is equipped with an integrated rain cover tucked into the zippered pocket at the bottom of the pack. If you need to use the raincover, use care while stretching it over the pack. Remove the lower Accessory Bar before covering the pack. Line up the opening in the bottom of the cover with the plate that holds the lower Accessory Bar. Re-install the lower Accessory Bar through this opening making sure that the rain cover does not contact any light mounted to the Bar.

Headlights:

The lower Accessory Bar is ideal for mounting bicycle headlights.

If you use lights while using the raincover, take care to not allow hot bulbs or light housings to come in contact with the raincover.

For technical support, call 1-800-727-2453 from 9am - 6pm Monday through Friday.



Performance, Inc.
One Performance Way
Chapel Hill, NC 27514

www.performancebike.com
1-800-727-2453

PERFORMANCE and the Flying P logo are registered trademarks of Performance Inc.