



PRO DX HANDLEBAR BAG

Thank you for choosing the TransIt™ Pro DX Handlebar Bag. This versatile pack keeps essential gear close at hand, and is perfectly suited for day trips or extended tours. The integrated rain cover and map sleeve will help keep your gear dry and help keep you on course.

! WARNING

Maximum load should not exceed 10 lbs. Excessive weight will adversely affect steering control, which may result in a serious accident and personal injury.

Tools required:

8mm socket wrench

Parts included:

QTY

- A. Handlebar Bag.....1
- B. U-bolts.....2
- C. Nylon Extensions2
- D. Handlebar Mounting Bracket.....1
- E. Washers.....2
- F. 8 mm Lock Nuts.....4

Assembly:

1. Attach the handlebar mounting bracket (D) to the handlebar as shown in **Figure 1**.
2. Tighten the lock nuts (F) securely. Once tightened, the bracket should not rotate on the handlebar. Check tightness of the bracket by stabilizing the front wheel between your legs and attempting to rotate the bracket. The bracket should not rotate without considerable force.

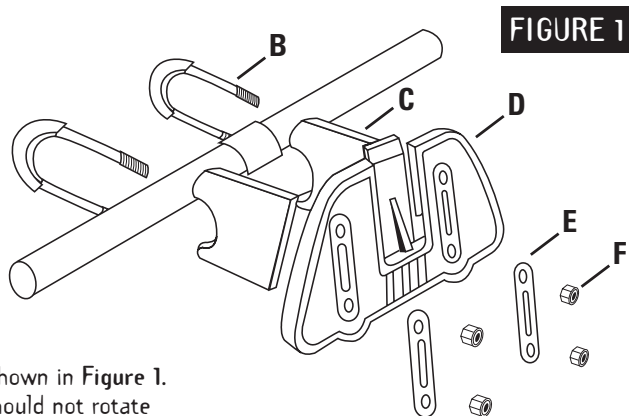


FIGURE 1

Attaching the Bag:

1. To attach the handlebar bag to the bike, align the bracket on the back of the bag with the handlebar mounting bracket and press down. The tab on the handlebar mounting bracket should “click” into the notch on the bag bracket. See **Figure 2**.
2. Before riding, ensure that the bag is firmly attached to the handlebar bracket by pulling up on the bag.
3. To remove the handlebar bag from the bike, press the tab on the handlebar mounting bracket and lift the bag straight up. See **Figure 3**.

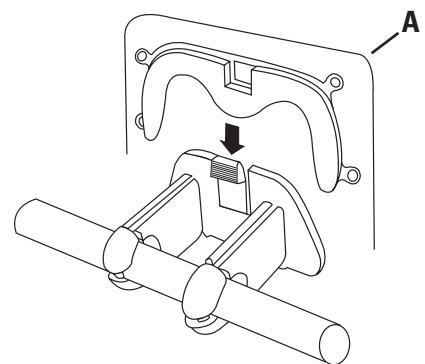


FIGURE 2

Using the Raincover:

The Pro Handlebar Bag includes an integrated rain cover in the zippered pocket at the bottom of the pack. To attach the raincover, unzip the pocket and pull out the cover. Stretch the cover over the pack so that the elasticized hole ends up on the back side of the pack (facing the rider). Do not attempt to attach the raincover while riding.

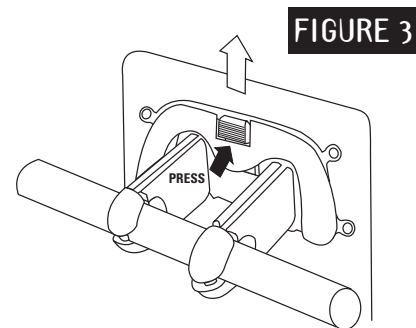


FIGURE 3

! WARNING

1. Added weight on the handlebar will affect steering control. Before riding, familiarize yourself with the effect that this added weight has on steering.
2. Ensure bag is securely attached to handlebar mounting bracket before riding.
3. Periodically check to ensure handlebar bracket mounting hardware is tightened securely.
4. Do not attach or remove rain cover while riding.

Tech Support 1(800)553-8324