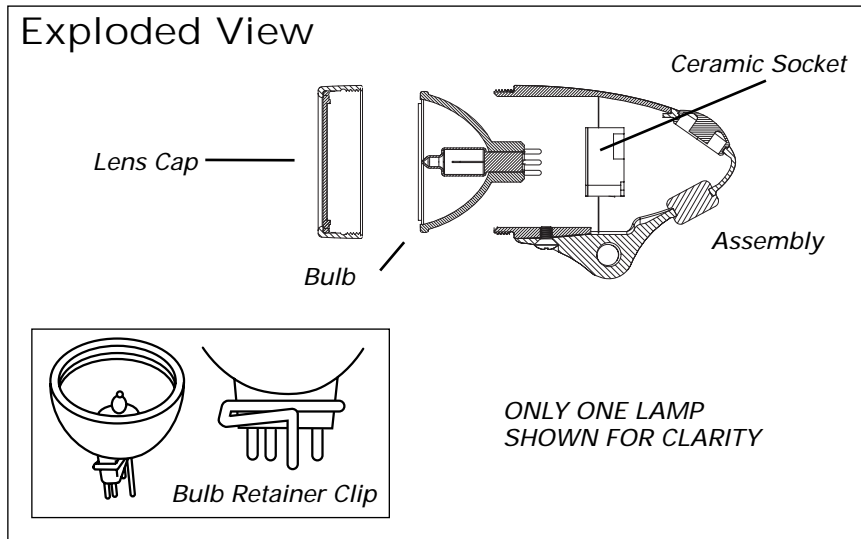


## Bulb Replacement – Read Carefully!

Take care when replacing the bulb in order not to damage the bulb connection.

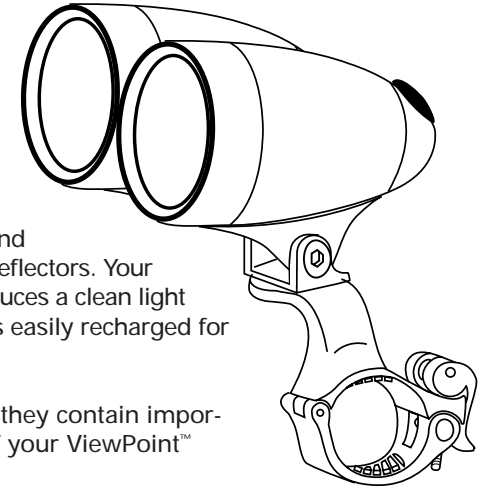


1. Disconnect headlamp from battery pack.
2. To remove the bulb, carefully unthread the lens cap. Do not allow the bulb to rotate. It may be necessary to press down gently on the bulb lens while unthreading the cap.
3. Unplug the used bulb and discard it.
4. To install the bulb, first insert the two prongs of the retainer clip into the larger holes on the ceramic socket. Next, insert the bulb lead wires into the smaller holes in the socket.
5. Rethread lens cap onto housing. Make sure the lens cap thread is fully engaged with the housing. Do not plug the lamp into the battery until this step is complete.

**PERFORMANCE**<sup>®</sup>

# ViewPoint™ DUAL PRO Owner's Manual

Thank you for purchasing a ViewPoint™ Dual Pro light system. All ViewPoint™ light systems are constructed of the highest quality materials, such as cold-forged aluminum housings, heavy duty cords with strong positive-click connections, and halogen bulbs with dichoric glass reflectors. Your ViewPoint™ Dual light system produces a clean light pattern for optimum visibility and is easily recharged for continued night riding enjoyment.



Please save these instructions, as they contain important information for taking care of your ViewPoint™ Dual light.

## Installation and Use

**Note:** Be sure to fully charge battery before first use (see the following section for details).

1. Slide the battery into your waterbottle cage, and make sure it is secure.
2. Install the headlight assembly onto your handlebar so that the headlight is positioned over the stem.
3. Open the Quick Release Clamp, close the clamp around your bar, rotate the Quick Release Lever into position on the upper part of the clamp (with the lever pointing up) and then flip the Quick Release Lever downward to lock the clamp into position (see Figure 1).
4. If the clamp diameter setting is too loose or too tight, open the quick release lever, loosen or tighten the lever as necessary to adjust clamp tightness, and close the lever to check for a secure grip on the bar.

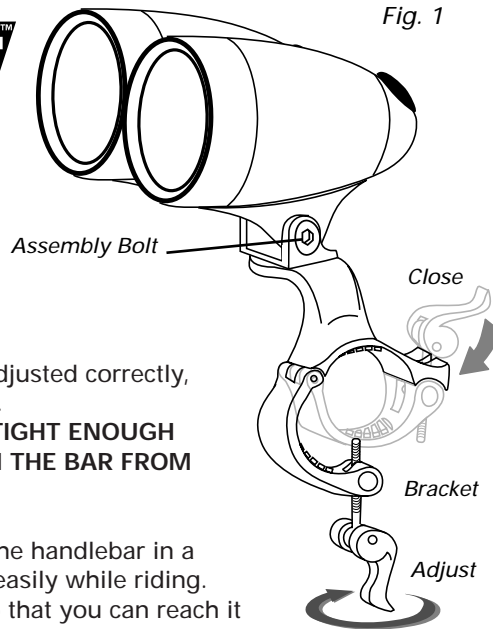
For technical support, call 1-800-727-2453 from 9am - 6pm Monday through Friday.



**Performance, Inc.**

One Performance Way  
Chapel Hill, NC 27514  
PerformanceBike.com  
Assembled in USA

# ViewPoint™ DUAL PRO



- Once the clamp tightness is adjusted correctly, position your light as desired. **MAKE SURE THE CLAMP IS TIGHT ENOUGH THAT IT WILL NOT MOVE ON THE BAR FROM VIBRATION OR BUMPS.**
- Mount the remote switch to the handlebar in a location that can be reached easily while riding. Ideally, it should be placed so that you can reach it with your thumb without moving your hands from their normal riding position. Secure the remote switch with the hook and loop strap.
- Connect the battery cord to the light cord and snap the cords firmly together. Excess cord can be stored inside the battery bottle by pushing it down through the opening on the top. Loosen the plastic nut, push excess cord into the bottle, and tighten the nut. Be sure to leave enough cord slack to permit free movement of the handlebars
- To operate:** The switch at the back of the headlamp housing controls the 12 watt spot beam. The remote switch controls the 20 watt flood beam. The headlamps can be operated independently, to conserve battery power and extend run time.
- Each headlamp can be aimed independently. Loosen the assembly bolts which secure the headlamps to the base, adjust headlamp angle as desired, and securely retighten the assembly bolts.
- To remove the headlight from the handlebar, open the quick release lever at the rear of the clamp, and remove from the bar.
- Your ViewPoint™ Dual Pro comes with a 12-watt spot and a 20-watt flood bulb. The remote switch controls the flood bulb. If you prefer remote operation of the 12-watt spot bulb, simply swap the bulbs. Please refer to the section on changing bulbs. Bulbs of various wattages and beam patterns are available separately to allow you to customize your light system. Please note that using higher wattage bulbs will reduce run time.

## ⚠ CAUTION

Avoid burns. Do not touch headlamp housing during or immediately after use. Maintain air flow over light during use.

## Battery Charging

- The ViewPoint Pro Nickel Metal Hydride (NiMH) battery must be recharged using only the 7.25V 500mA NiMH compatible charger included with your light. Do not use any other charger. Using the wrong charger may damage your NiMH battery.
- To ensure the longest battery life, recharge the battery immediately after each use, and always store the battery fully charged.
- A full charge requires approximately 15 hours. Your ViewPoint battery charger contains a trickle charge feature which allows the battery to be left on recharge indefinitely without harm. Once the charger switches to trickle mode, it must be unplugged from the wall outlet before a new charge cycle can begin.

## Also available for your Viewpoint™ System

- 40-0324 NiMH 6.0 Ahr waterbottle style battery (requires NiMH recharger)
- 40-0339 NiMH battery charger (use only with NiMH battery)
- 40-0026 15-watt intermediate bulb (20° beam)
- 00-8154 20-watt flood bulb (30° beam)
- 00-8152 12-watt spot bulb (10° beam)
- 00-2365 12-watt flood bulb (30° beam)