

1. Identify valve type.

Remove the threaded cap and position the rubber gasket and pin as required. See figure 1.

2. Press the pump head onto the tire valve and lift the valve lock lever. Flip open the T-handle, and inflate to the required pressure.

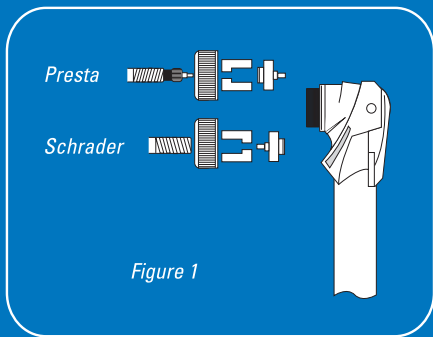


Figure 1

3. To mount the pump, use the included hardware to attach the pump bracket to the frame using the water bottle cage braze-ons. See figure 2.

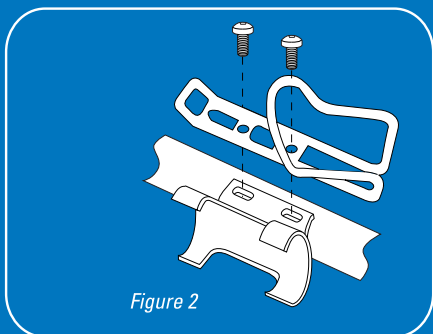


Figure 2



Performance Inc.
One Performance Way
Chapel Hill, NC 27514
Made in Taiwan
PerformanceBike.com

PERFORMANCE and the Flying P are registered marks of Performance Inc.

40-1536



**Hurricane
HP Micro Mini Pump**

**Tech Support Line
1-800-727-2453**