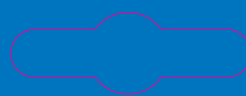


KEYLINES DO NOT PRINT  
PANTONE 2935  
PANTONE 2935 @ 70%



### To Inflate

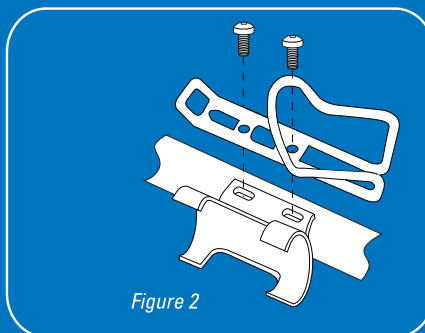
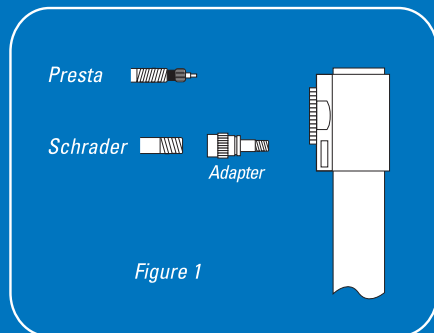
1. Identify valve type (see Figure 1).
2. For Presta valves, press pump head directly onto valve stem and inflate to desired pressure.
3. For Schrader valves, remove Presta/Schrader adapter from pump handle and thread onto Schrader valve stem. Then press pump head directly onto valve stem and inflate to desired pressure.

### Using Glueless Patches

1. Remove patches and sandpaper from pump handle.
2. Locate puncture in tube.
3. Lightly roughen tube surface around hole with sandpaper.
4. Apply patch—be careful not to touch adhesive side of patch.
5. Press patch firmly and hold for 30-40 seconds.
6. Reinstall tube and inflate to recommended pressure.

### Installing the Bracket

1. Using the included hardware, attach the pump mounting bracket to the frame using the water bottle cage braze-ons (see Figure 2).
2. Press pump into bracket until it snaps securely in place.



**Performance Inc.**  
One Performance Way  
Chapel Hill, NC 27514  
Made in Taiwan  
PerformanceBike.com  
PERFORMANCE and the Flying P are  
registered marks of Performance Inc.



**Tech Support Line**  
1-800-727-2453