

Fig. 1

Section A

Tab

Section B

TO SEPARATE THE TOOL

Press tab and slide two sections apart as shown. See Fig.1

LOCKING DEVICE

A locking device secures the 8, 9, and 10mm box wrenches, serrated knife, and bottle opener when in use. Unfold the desired tool until you hear a "CLICK". To release the lock, depress the lock plate and fold the tool down. See Fig.2

TOOL MAINTENANCE

Use Phillips or flat screwdriver to adjust tightness of tool as shown. See Fig.3

5mm and 8mm HEX WRENCHES

To use the 8mm hex wrench, slide the adapter to the end of the tool. To use the 5mm hex wrench slide the adapter down to expose the 5mm end of the tool. See Fig.4

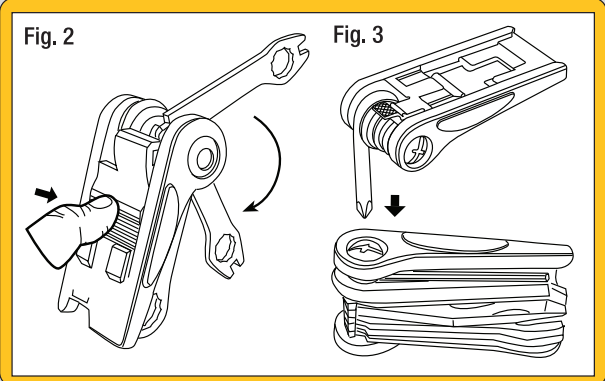


Fig. 2

Fig. 3

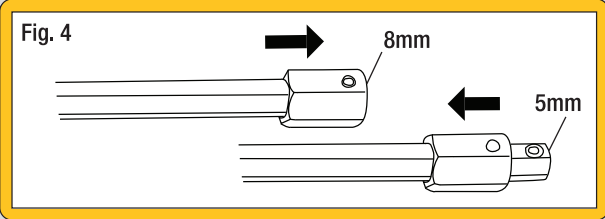


Fig. 4

8mm

5mm

CAUTION
Always separate the two sections before use.
Failure to do so may damage the tool.

WARNING
Knife blade has sharp cutting edge.
Use knife with extreme caution.



Made in Taiwan