

PERFORMANCE[®]

ViewPoint™ ~~FLARE~~ headlight and taillight

Battery Installation

1. Twist lens cover (A) counterclockwise to remove.
2. Remove bulb socket (B) from case (C), and install 3 "AAA" (1.5V) batteries. Orient batteries as shown in Figure 1 and as indicated on back side of bulb socket.
3. Reinstall bulb socket, replace lens cover and turn clockwise to tighten.

Bracket Installation

1. Attach mounting bracket (D) to handlebar as shown in Figure 2. Use supplied rubber shim as necessary to ensure a secure fit.
2. Attach light to bracket. Slide light onto bracket from front to back. Ensure light is securely attached to bracket before riding.
3. Adjust orientation of bracket so light is positioned in an optimal direction. The light bracket offers 15° of rotation. Use Phillips screw to adjust rotation tension.
4. To remove light, press down on release tab (E) and slide light from back to front. See Figure 3.

Mounting Strap Attachment

The flexible silicone mounting strap offers an alternative attachment solution.

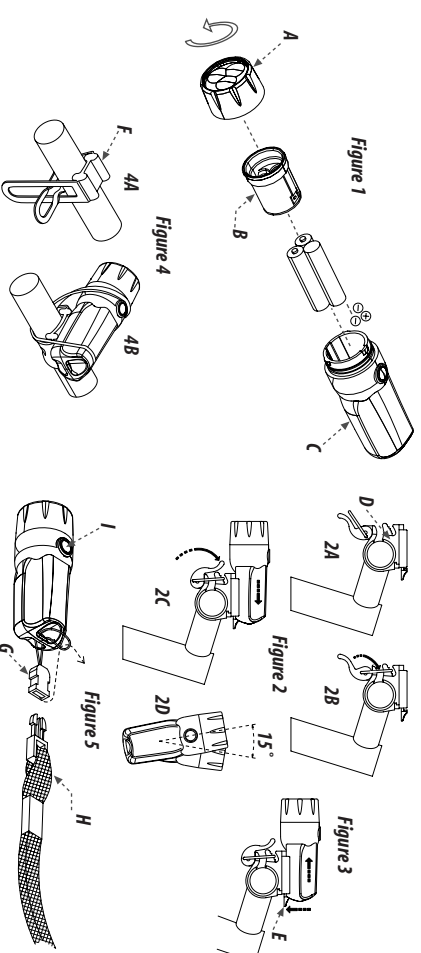
1. Wrap strap (F) around handlebar as shown in Figure 4.
2. Place light on top of strap and loop ends of strap over front and back of light.

Lanyard Attachment

1. Attach lanyard clip (G) to light as shown in Figure 5.
2. Insert lanyard strap buckle (H) into clip to attach lanyard to light.

To Operate

1. Press the power switch (I) once for steady mode, again for quick flash, a third time for slow flash, a fourth time for S.O.S. and once more to turn it off.



Performance, Inc.

One Performance Way
Chapel Hill, N.C. 27514
1-800-727-2453

Made in Taiwan

www.performancebike.com

PERFORMANCE and the Flying P Logo are registered marks of Performance, Inc.

Performance Tech Support 1(800)553-8324
9am-6pm EST Monday-Friday

40-1792/40-1793

0803_1

PERFORMANCE[®]

ViewPoint™ ~~FLARE~~ headlight and taillight

Battery Installation

1. Twist lens cover (A) counterclockwise to remove.
2. Remove bulb socket (B) from case (C), and install 3 "AAA" (1.5V) batteries. Orient batteries as shown in Figure 1 and as indicated on back side of bulb socket.
3. Reinstall bulb socket, replace lens cover and turn clockwise to tighten.

Bracket Installation

1. Attach mounting bracket (D) to handlebar as shown in Figure 2. Use supplied rubber shim as necessary to ensure a secure fit.
2. Attach light to bracket. Slide light onto bracket from front to back. Ensure light is securely attached to bracket before riding.
3. Adjust orientation of bracket so light is positioned in an optimal direction. The light bracket offers 15° of rotation. Use Phillips screw to adjust rotation tension.
4. To remove light, press down on release tab (E) and slide light from back to front. See Figure 3.

Mounting Strap Attachment

The flexible silicone mounting strap offers an alternative attachment solution.

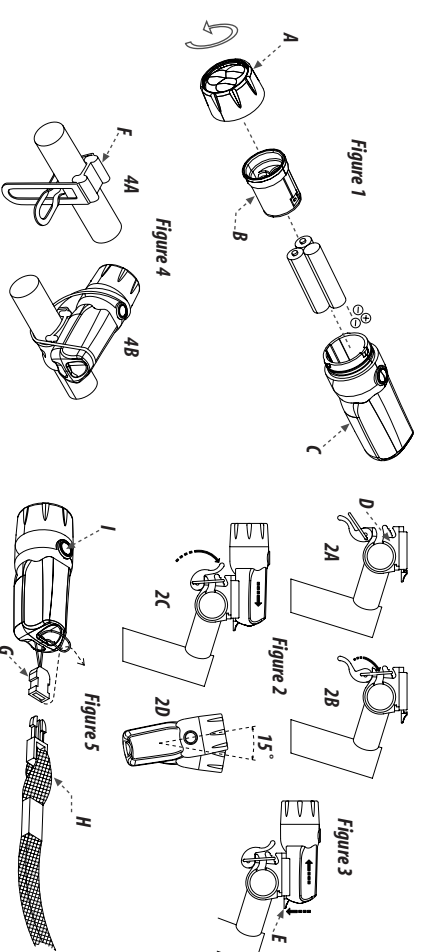
1. Wrap strap (F) around handlebar as shown in Figure 4.
2. Place light on top of strap and loop ends of strap over front and back of light.

Lanyard Attachment

1. Attach lanyard clip (G) to light as shown in Figure 5.
2. Insert lanyard strap buckle (H) into clip to attach lanyard to light.

To Operate

1. Press the power switch (I) once for steady mode, again for quick flash, a third time for slow flash, a fourth time for S.O.S. and once more to turn it off.



Performance, Inc.

One Performance Way
Chapel Hill, N.C. 27514
1-800-727-2453

Made in Taiwan

www.performancebike.com

PERFORMANCE and the Flying P Logo are registered marks of Performance, Inc.

Performance Tech Support 1(800)553-8324
9am-6pm EST Monday-Friday

40-1792/40-1793

0803_1