

ViewPoint™ FLARE 5

Headlight Instructions

Battery Installation:

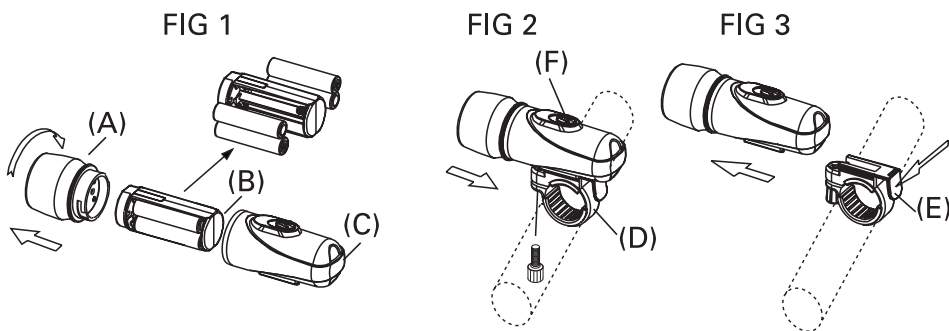
1. Twist lens head (A) counterclockwise to remove.
2. Remove battery cradle (B) from light case (C), and install 4 "AAA" (1.5V) batteries according to orientation diagram inside battery cradle. See Figure 1.
3. Slide battery cradle into light case with metal contact points facing out and the word "TOP" facing up.
4. Replace lens head and turn clockwise to tighten.

Bracket Installation:

1. Attach mounting bracket (D) to handlebar as shown in Figure 2. Use supplied rubber shims as necessary to ensure a secure fit.
2. Attach light to bracket. Slide light onto bracket from front to back until you hear an audible "CLICK". Ensure light is securely attached to bracket before riding.
3. Adjust orientation of bracket so light is positioned in an optimal direction.
4. To remove light, press down on release tab (E) and slide light from back to front. See Figure 3.

To Operate:

1. Slide magnetic power switch (F) forward once for steady mode, again for flash mode, and a third time to turn off the light.



ViewPoint™ FLARE 5

Headlight Instructions

Battery Installation:

1. Twist lens head (A) counterclockwise to remove.
2. Remove battery cradle (B) from light case (C), and install 4 "AAA" (1.5V) batteries according to orientation diagram inside battery cradle. See Figure 1.
3. Slide battery cradle into light case with metal contact points facing out and the word "TOP" facing up.
4. Replace lens head and turn clockwise to tighten.

Bracket Installation:

1. Attach mounting bracket (D) to handlebar as shown in Figure 2. Use supplied rubber shims as necessary to ensure a secure fit.
2. Attach light to bracket. Slide light onto bracket from front to back until you hear an audible "CLICK". Ensure light is securely attached to bracket before riding.
3. Adjust orientation of bracket so light is positioned in an optimal direction.
4. To remove light, press down on release tab (E) and slide light from back to front. See Figure 3.

To Operate:

1. Slide magnetic power switch (F) forward once for steady mode, again for flash mode, and a third time to turn off the light.

