

# viewpoint™ Flashpoint Ultra Taillight

Thank you for purchasing a Viewpoint™ taillight. With its powerful 0.5 Watt LED, the Flashpoint Ultra provides maximum illumination with minimal size.

## Battery Installation or Replacement

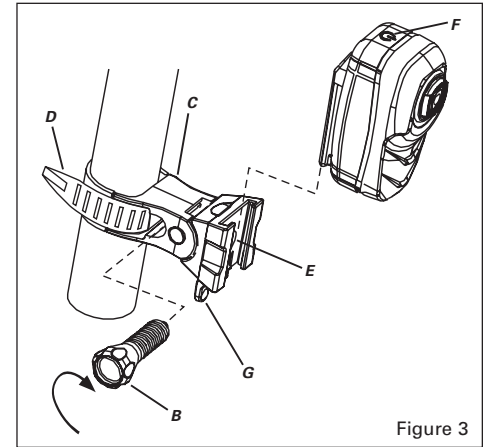
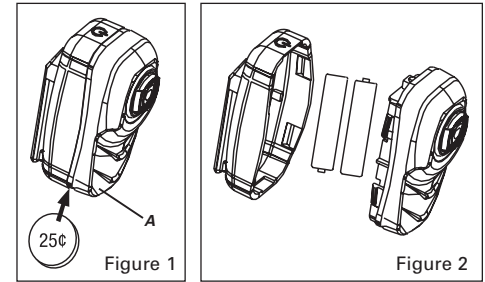
1. Insert a coin in the slot at the lower corner of the lens cover (A) and twist to remove the cover (see Figure 1).
2. If replacing batteries, remove the old batteries and dispose of properly.
3. Insert two “AAA” batteries and orient them according to the diagram molded inside the case. See Figure 2. Replace the lens cover and press firmly to snap shut.

## Bracket Installation

1. Unthread the screw bolt (B) from the bracket (C) and open the bracket strap (D). Wrap the strap around the seatpost and feed it back through the bracket slot. See Figure 3.
2. Insert the screw bolt and turn it to engage and tighten the bracket strap. As you turn the screw, the strap will tighten around the seatpost.
3. Attach the light to the bracket by sliding the clip on the back of the light into the bracket. Ensure the light is securely attached to the bracket before riding.
4. To adjust the angle of the light, loosen the angle adjustment screw (E), rotate the bracket up or down as desired and retighten the adjustment bolt securely.

## Light Operation

1. Press the power button (F) repeatedly to cycle through the following modes: Steady, Partial flash, Full flash, Off.
2. To remove the light from the seatpost bracket, press the release tab (G) and slide the light out of the bracket.
3. Note that the clip on the back of the light also functions as a clothing or bag clip.



Made in China

40-4114 0309\_1

Tech Support Line 1-800-553-8324

# viewpoint™ Flashpoint Ultra Taillight

Thank you for purchasing a Viewpoint™ taillight. With its powerful 0.5 Watt LED, the Flashpoint Ultra provides maximum illumination with minimal size.

## Battery Installation or Replacement

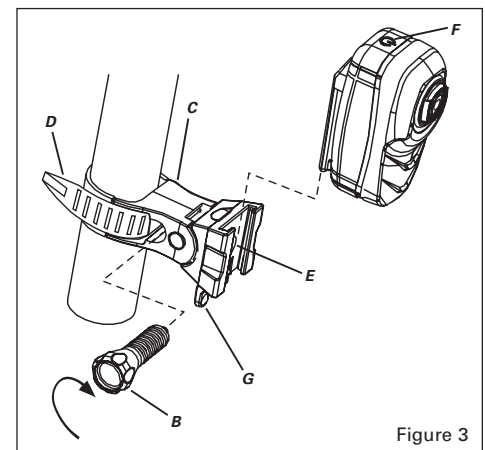
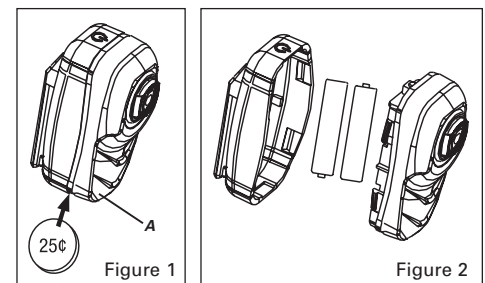
1. Insert a coin in the slot at the lower corner of the lens cover (A) and twist to remove the cover (see Figure 1).
2. If replacing batteries, remove the old batteries and dispose of properly.
3. Insert two “AAA” batteries and orient them according to the diagram molded inside the case. See Figure 2. Replace the lens cover and press firmly to snap shut.

## Bracket Installation

1. Unthread the screw bolt (B) from the bracket (C) and open the bracket strap (D). Wrap the strap around the seatpost and feed it back through the bracket slot. See Figure 3.
2. Insert the screw bolt and turn it to engage and tighten the bracket strap. As you turn the screw, the strap will tighten around the seatpost.
3. Attach the light to the bracket by sliding the clip on the back of the light into the bracket. Ensure the light is securely attached to the bracket before riding.
4. To adjust the angle of the light, loosen the angle adjustment screw (E), rotate the bracket up or down as desired and retighten the adjustment bolt securely.

## Light Operation

1. Press the power button (F) repeatedly to cycle through the following modes: Steady, Partial flash, Full flash, Off.
2. To remove the light from the seatpost bracket, press the release tab (G) and slide the light out of the bracket.
3. Note that the clip on the back of the light also functions as a clothing or bag clip.



Made in China

40-4114 0309\_1

Tech Support Line 1-800-553-8324